

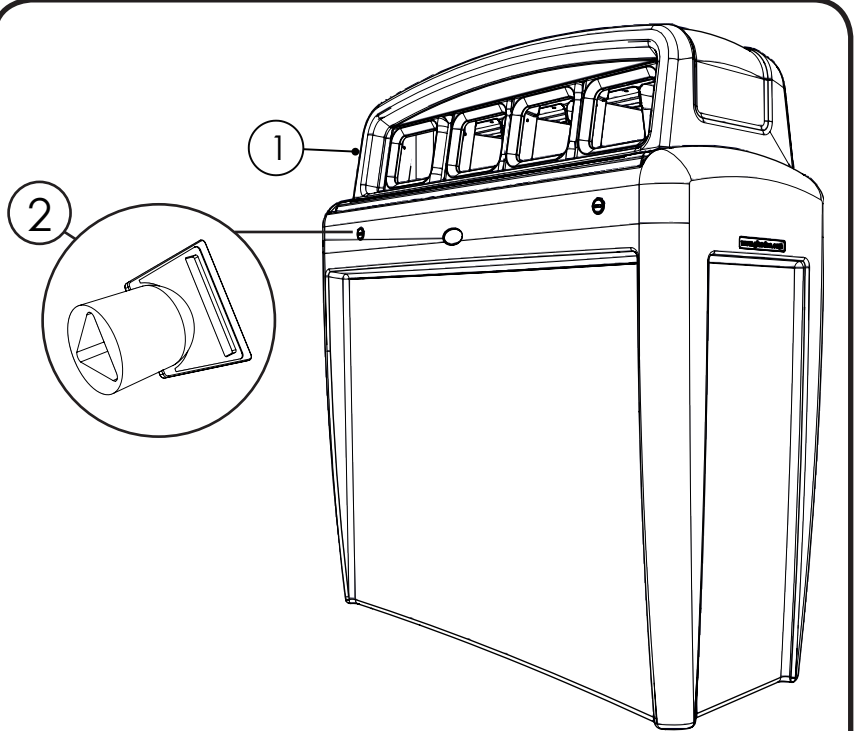
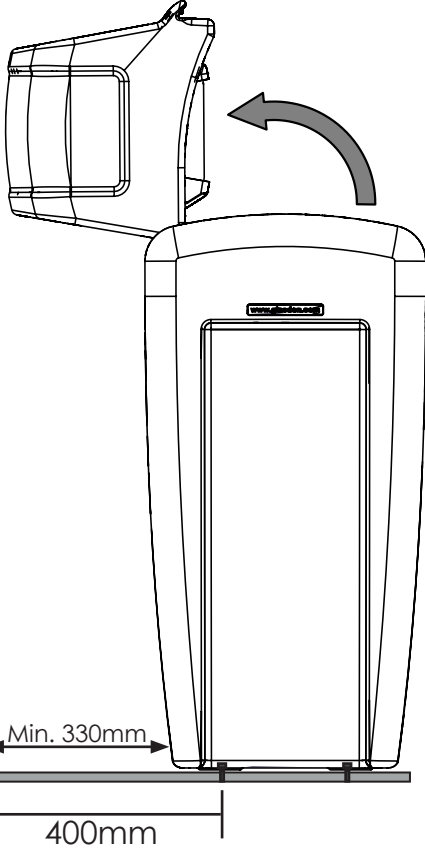


# Nexus<sup>®</sup> Evolution City

## OPERATOR & MAINTENANCE INSTRUCTIONS

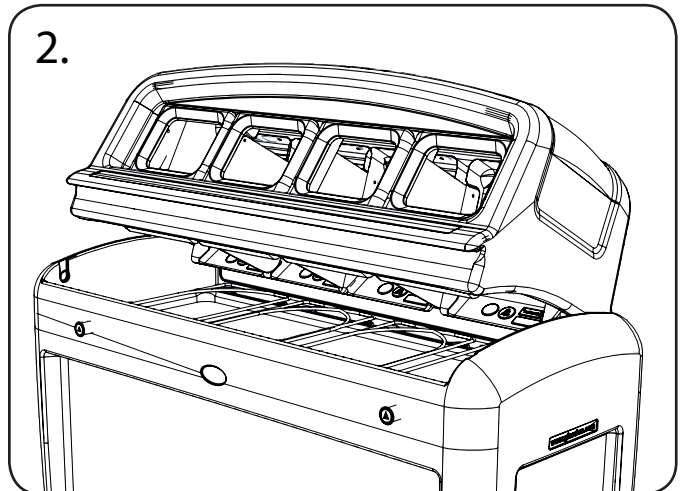
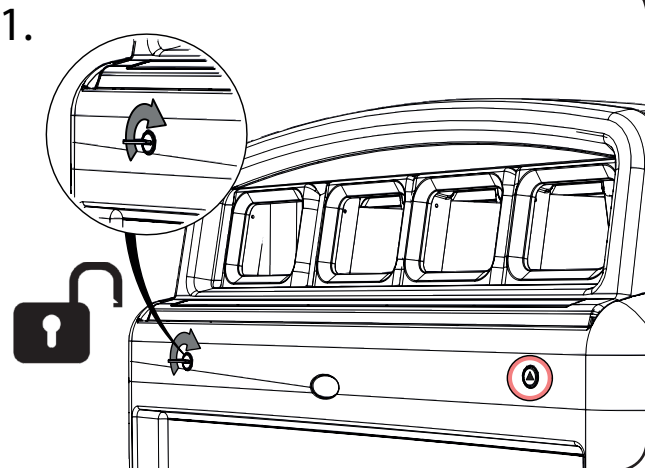
IMPORTANT NOTE: ENSURE THAT ALL RELEVANT PERSONNEL READ THESE INSTRUCTIONS PRIOR TO USE

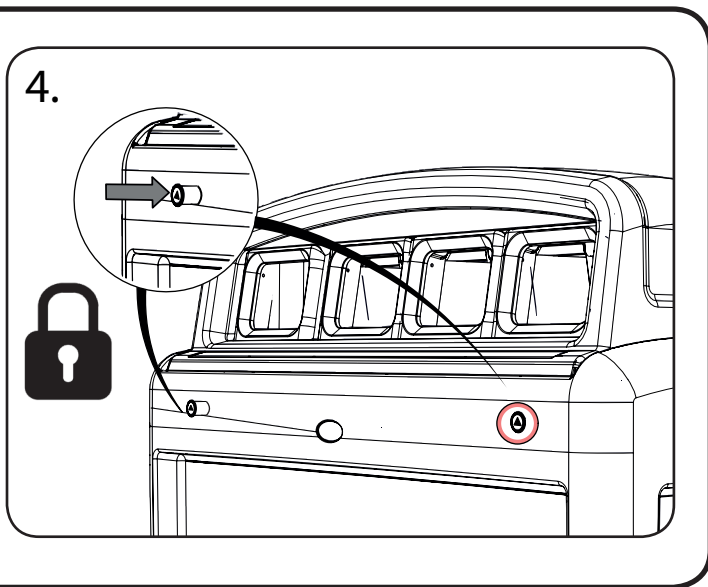
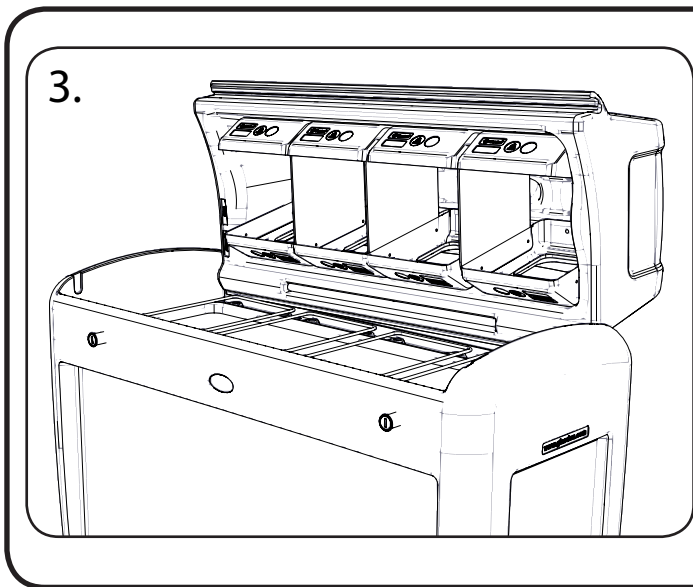
### Wall Distance



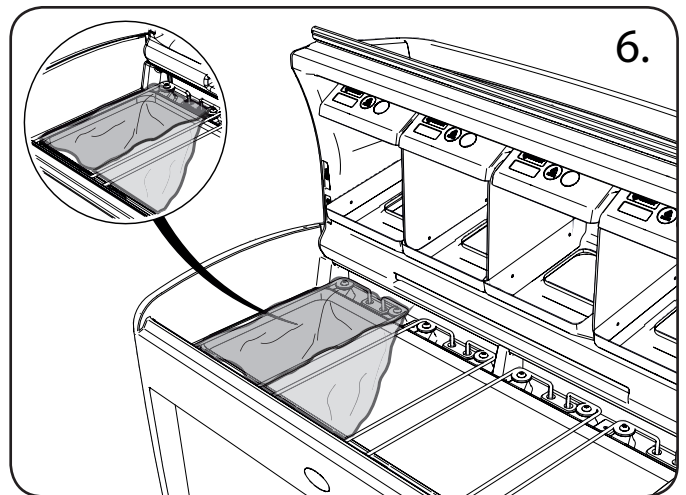
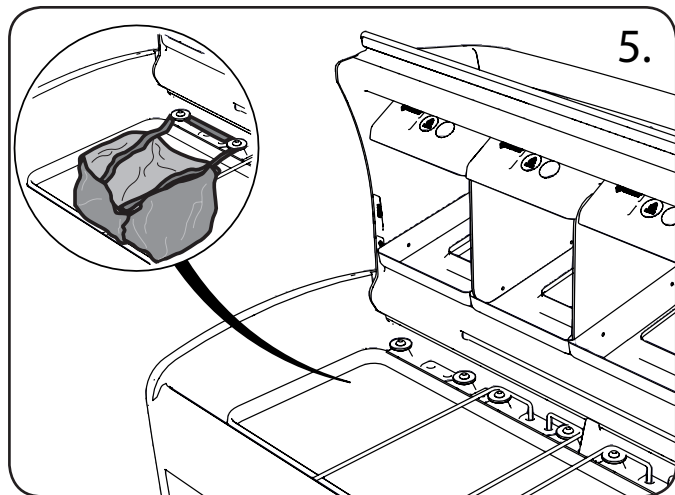
- ITEM 1 Nexus Evolution City Bin
- ITEM 2 Nexus Evolution City Bin Key

### Hood Operation





### Sack Retention



## PRODUCT MAINTENANCE

**CLEANING:** We would recommend hand washing the unit with a 10% solution of mild detergent in warm water using a soft bristle brush followed by a rinse with clean water.

**GRAFFITI:** Felt tip pen or paint may be removed from Durapol using a proprietary graffiti remover. Carefully follow the instructions, particularly the guidelines covering safety. Ensure that all traces of chemicals are removed then clean as detailed above.

**CAUTION Graffiti removers can damage banding and stickers, some protection may be affordable by masking off such areas. Please refer to Technical Services for our recommended graffiti removal supplier.**

**MAINTENANCE:** We would recommend hand washing the unit with a 10% solution of mild detergent in warm water using a soft bristle brush followed by a rinse with clean water.

**IMPORTANT NOTE:** PLEASE ENSURE THAT ALL RELEVANT PERSONNEL READ THE POINTS LISTED WITHIN THIS LEAFLET AND THAT A COPY IS GIVEN TO STAFF INVOLVED WITH THE INSTALLATION AND MAINTENANCE OF THIS PRODUCT

**SAFETY NOTE:** PLEASE REFER TO 'THE MANUAL HANDLING OPERATIONS REGULATIONS 1992' DURING HANDLING.

 **Glasdon** AND NEXUS ARE TRADEMARKS OR REGISTERED TRADEMARKS OF GLASDON GROUP OR ITS SUBSIDIARIES IN THE U.K. AND OTHER COUNTRIES

- A planned maintenance schedule or regular inspection is recommended, replacing components as necessary.
- Replacement components are available direct from GLASDON.
- GLASDON cannot be held responsible for claims arising from incorrect installation, unauthorised modifications or misuse of the product.

Stock No. C000/0532 - DWG No. 07B-372-78 Issue 1 - February 2020

© Copyright February 2020

Glasdon UK Ltd reserve the right to alter specifications without prior notice.

 **Glasdon®**

**Glasdon U.K. Limited**  
Preston New Road  
BLACKPOOL  
Lancashire  
FY4 4UL

Tel: (01253) 600410  
Fax: (01253) 792558  
e-mail: sales@glasdon-uk.co.uk  
web: www.glasdon.com